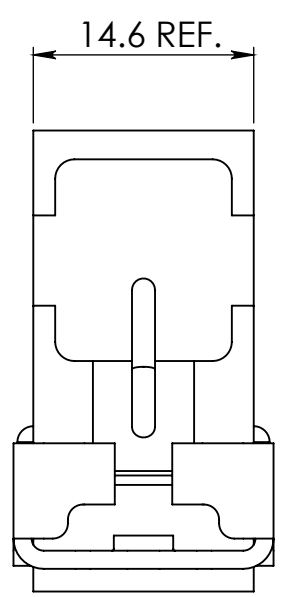
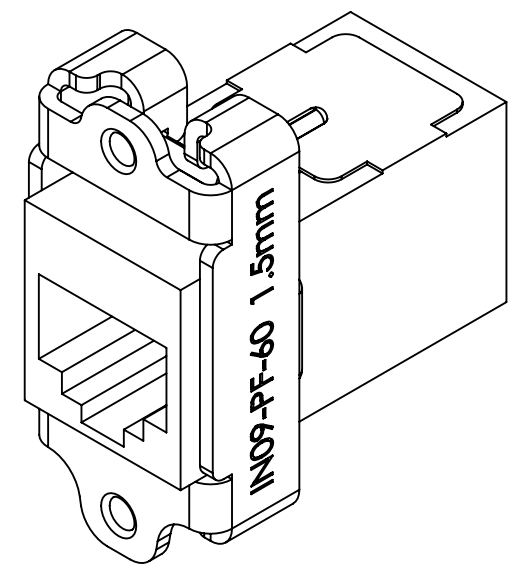
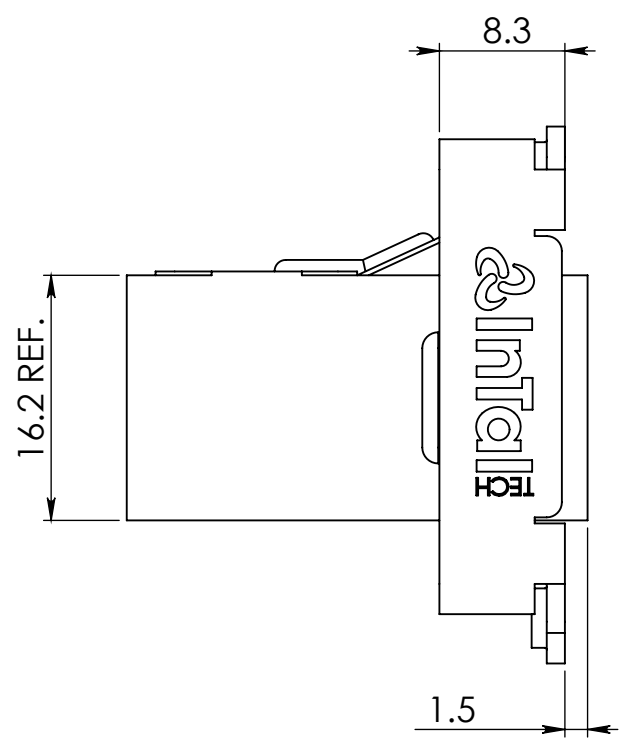
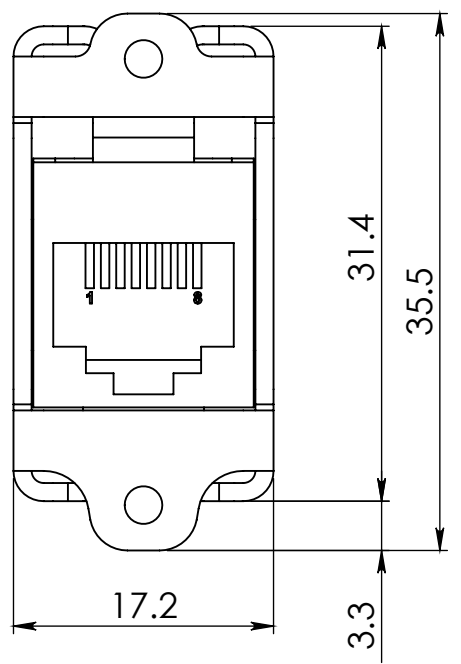


P:\Projects\Projects in R&D Status\InTal Tech\IN09 Backshell for Micro D-Type\IN09-DS-17-B 12/16/2010

1	2	3	4	5	6	7	8
ZONE	REV.	DESCRIPTION		DATE	APPROVED		
	B	RELEASED		22/07/2010	IGOR		

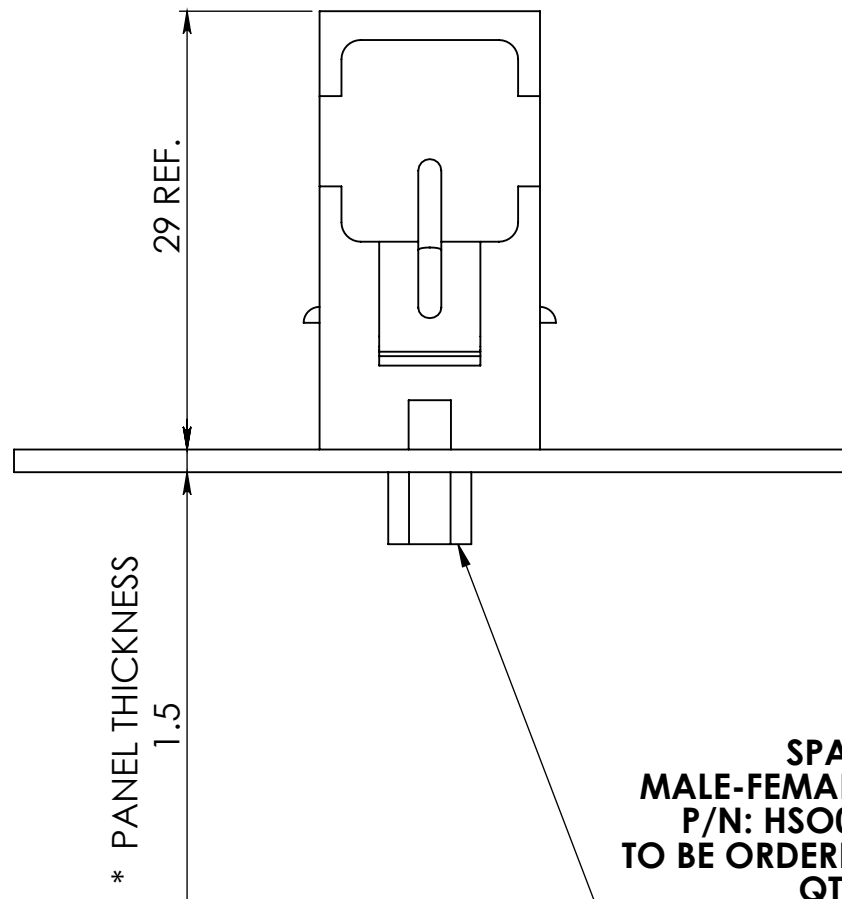
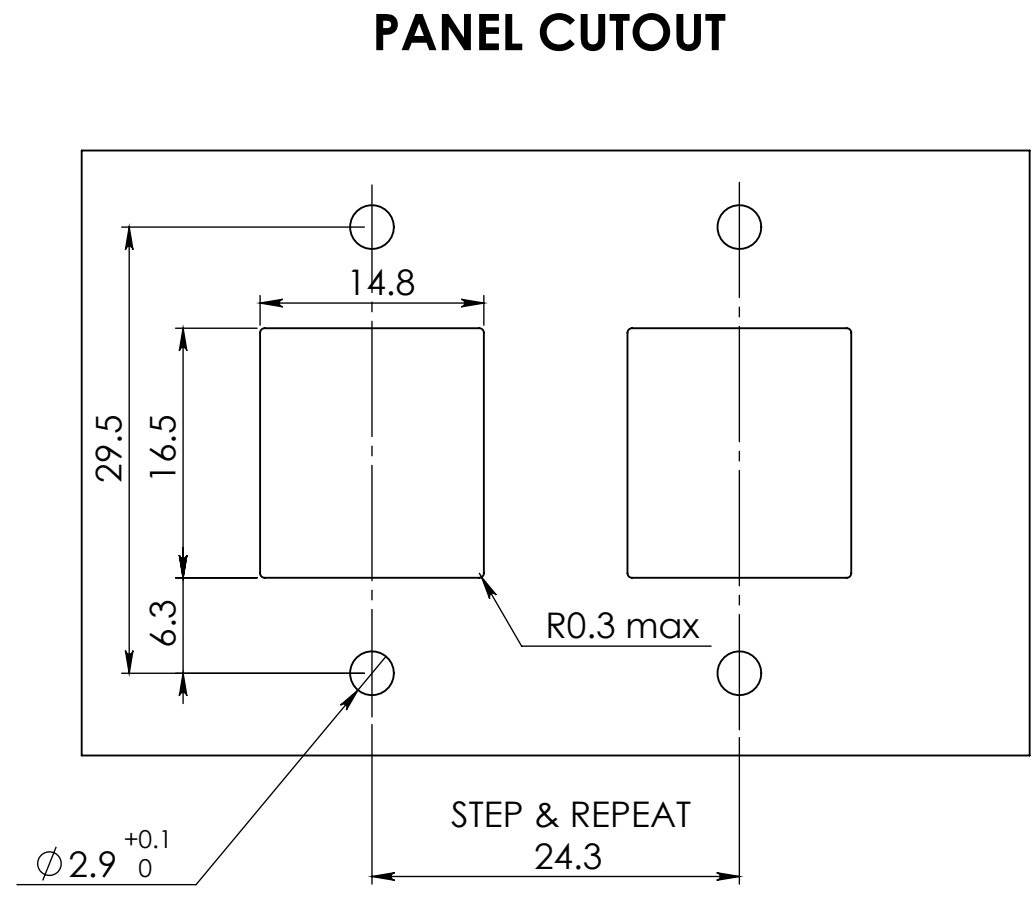
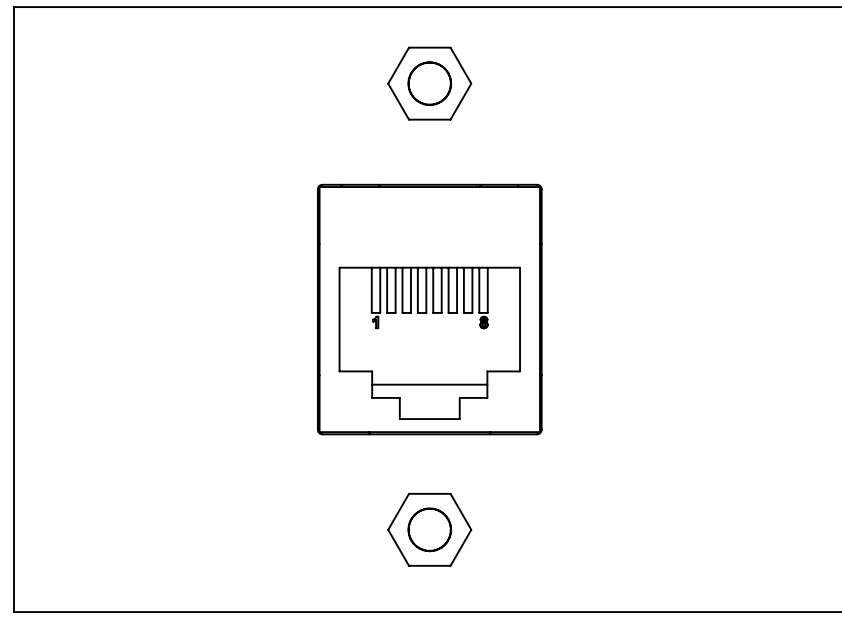


NOTES:

- 1. MATERIAL- PANEL BRACKET: STAINLESS STEEL.

TOLERANCES UNLESS OTHERWISE STATED				MATERIAL:	FINISH:				
LINEAR	±	HOLES DIA	+						
ANGULAR	±	MASH. SURF'S							
	NAME	SIGNATURE	DATE	TITLE					
DRAWN	ELENA			KIT,RJ45 1.5mm PANEL VERTICAL DATA SHEET					
DESN'D	GREGORY			PROJECT					
CHK'D				PART. NO. IN09-KT-17					
APPV'D				DWG NO. IN09-DS-17-B		VERSION			
THIS DOCUMENT CONTAINS PROPRIETARY INFORMATION AND SHALL NOT BE PUBLISHED OR USED FOR ANY PURPOSE WITHOUT THE PRIOR WRITTEN PERMISSION OF INTALTECH Ltd. DO NOT MANUALLY UPDATE. DO NOT SCALE DRAWING.				Engineering Development & Consulting		REV. B	SHEET 1/2		
						SIZE A3	FIRST ANGLE PROJECTION	DIM UNIT MM	SCALE 2:1

P:\Projects\Projects in R&D Status\InTal Tech\IN09 Backshell for Micro D-Type\IN09-DS-17-B 12/16/2010



**SPACER
MALE-FEMALE #4-40x3/16
P/N: HSO0404HH0
TO BE ORDERED SEPARATELY
QTY.x 2**

* PANEL THICKNESS
1.5

* FOR OTHER PANEL THICKNESS PLEASE CONTACT
e-mail: office@intaltech.com
tel: +972(0)8-9400002
fax: +972(0)3-7256610

THIS DOCUMENT CONTAINS PROPRIETARY INFORMATION AND SHALL NOT BE PUBLISHED OR USED FOR ANY PURPOSE WITHOUT THE PRIOR WRITTEN PERMISSION OF A&J. DO NOT MANUALLY UPDATE. DO NOT SCALE DRAWING.	 Engineering Development & Consulting	PART. NO. IN09-KT-17		VERSION	
		DWG NO. IN09-DS-17-B		REV. B	SHEET 2/2
		SIZE A3	FIRST ANGLE PROJECTION	DIM UNIT MM	SCALE 2:1